

Enclosed Stainless Steel Transport/ Retrieval Cart

Models ET24PT, ET30PT

Advanced Meal Systems from Aladdin Temp-Rite offers two different enclosed delivery/retrieval carts to suit your specific requirements. The enclosed design of these carts allows finished meals or soiled trays to be transported in a protected, enclosed environment. These highly durable enclosed carts will provide years of trouble-free service.

Standard Features

Design/Construction

- Fits 13.4" x 22" (34 cm x 56 cm) S901 series Convect-Rite trays.
- Holds two trays per shelf.
- Center assembly to support tray.
- Independent sides to keep hot and cold food items separated during transport.
- Stainless steel gravity latches.
- One continuous hinge for doors.
- Holder on front door fits 3.0" x 5.0" card (not shown)

Durability

- All stainless steel construction ensures durability and an easy cleaning surface.
- Side panels are recessed inside frame to prevent denting.
- Four corner non-marking bumpers for protection on all sides.
- Internal brace and external gussets to prevent racking.

Ease of Use

- Two doors make accessibility easy on both sides of cart.
- Both models have 6.0" (15 cm) non-marking casters, 2 swivel with brake and 2 rigid.
- All models have full 270° door swing with a magnetic catch for the open position.
- Removable tray slides for easy cleaning.

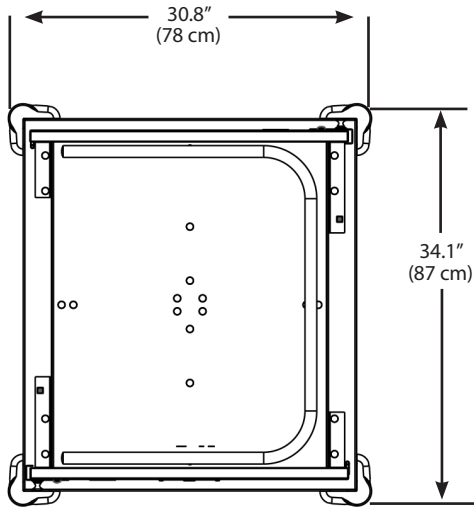


Model ET30PT shown

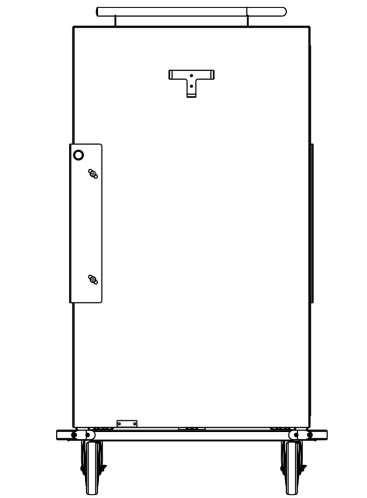


Enclosed Stainless Steel Transport/ Retrieval Cart

Models ET24PT, ET30PT



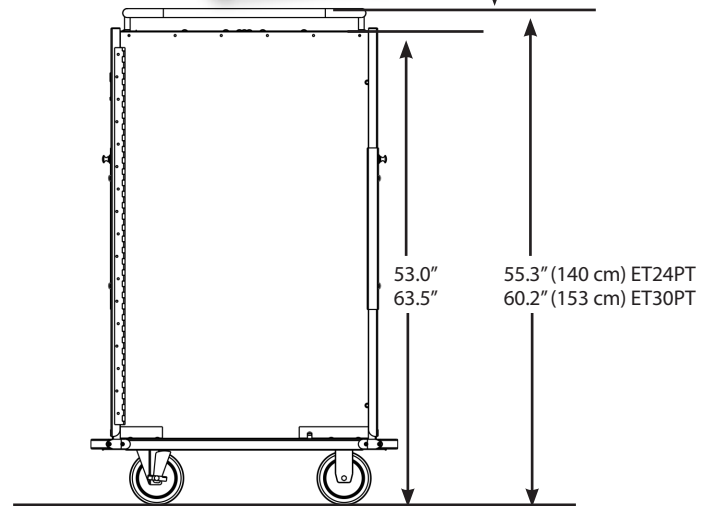
Top View



Front View



2.6" (7 cm)



Side View

Model	Description	Tray Capacity	Shelf Spacing	Length	Width	Height	Weight
<input type="checkbox"/> ET24PT	Holds two trays per shelf ¹	24	3.5" (9 cm)	34.1" (87 cm)	30.8" (78 cm)	55.3" (140 cm)	220 lbs. (100 kg)
<input type="checkbox"/> ET30PT	Holds two trays per shelf ¹	30	3.5" (9 cm)	34.1" (87 cm)	30.8" (78 cm)	60.2" (153 cm)	255 lbs. (116 kg)

¹Fits 13.4" x 22" (34cm x 56 cm) S901 series Convect-Rite trays.



FOR SERVICE AND WARRANTY INFORMATION

ET Carts:
1 YEAR, Parts
90 DAYS, Labor

Visit aladdintemprite.com/patents for patent information.
250 E. Main St. | Hendersonville, TN 37075 | Customer Service: 800.888.8018 | Tech Service: 800.888.5426 | Fax: 888.812.9956 | aladdintemprite.com
©2024 Aladdin Temp-Rite.® All rights reserved. Note: Specifications are subject to change without notice.



S240418ETPT

